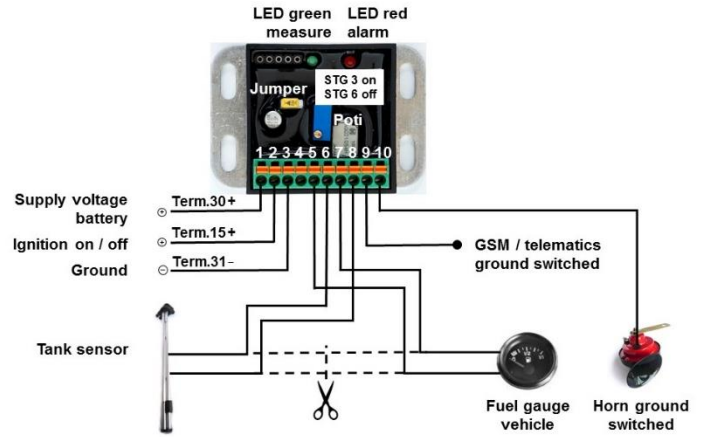




Wiring plan STG 3/6



Tank protection STG 3/6

Patent No.: 12171559.3

Basic module IP20, mounting only for indoor use, preferably in the cab security area. Our basic module for alerting by vehicle horn or GSM/telematics.

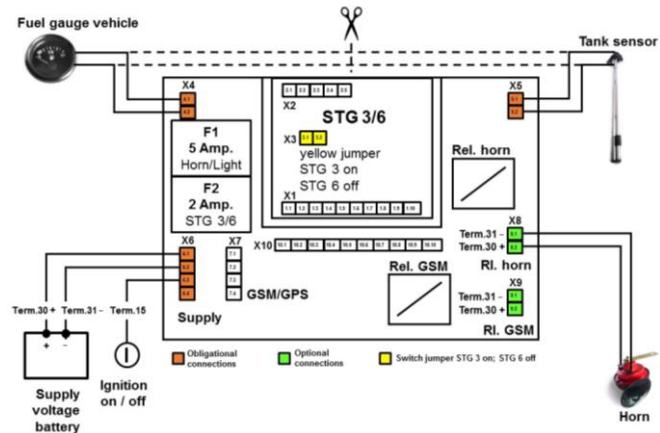


Tank protection STG 1

Patent No.: 12171559.3

Incl. basic module STG 3/6, IP67, check fuse, relay output for horn. Outdoor installation eg battery case. Easy installation. GSM/telematics retrofittable.

Wiring plan STG 1

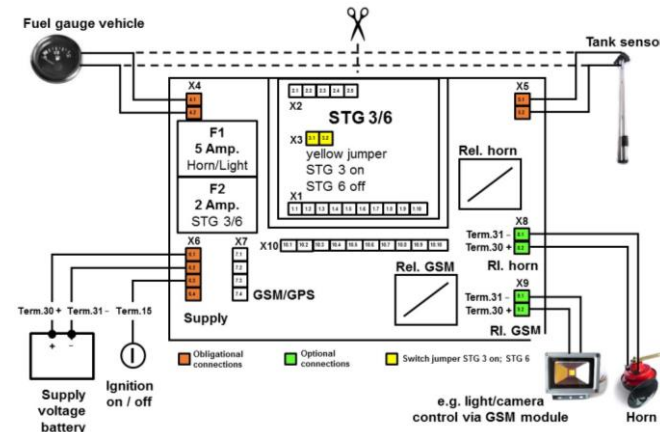


Tank protection STG 2

Patent No.: 12171559.3

Incl. basic module STG 3/6, IP67, check fuse, GSM module (silent alarm), relay output for horn. Outdoor installation eg battery case. Easy installation.

Wiring plan STG 2





- Fuel theft from lorries and construction machinery is a significant cost factor.
- Our experience shows that just about all logistics companies have been confronted with these problems.
- After removal of around 15 to 30 litres (depending on tank size), the alarm takes place by horn signal or silent alarm (SMS / telematics)..
- Amortisation after theft prevention of a single tank.
- Approval by the Kraftfahrtbundesamt (E1) No. 036319. Easy installation.
- Demo installation on YouTube: Tankabsicherung STG 3/6.

Our programmable tank monitoring systems:



Detection of fuel theft. Alarm either by horn signal or text message/telematics.

